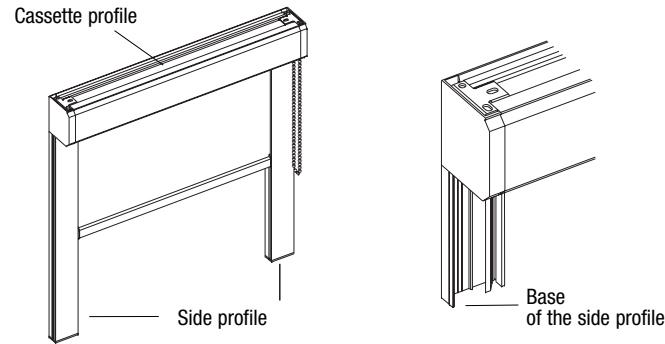


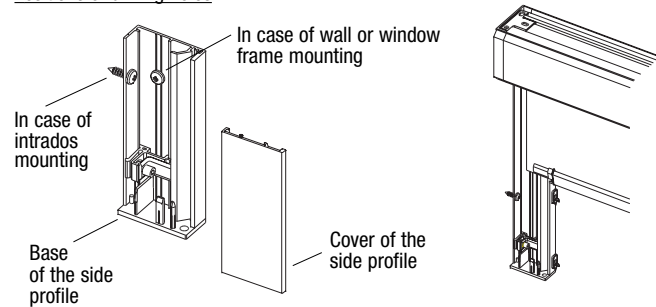
Fitting the side profile

After the roller blind has been clipped in or clamped as described overleaf, the side profiles must be fitted. Make sure that the side profiles are fitted exactly **parallel** to each other and **at right angles** to the cassette profile of the blind.

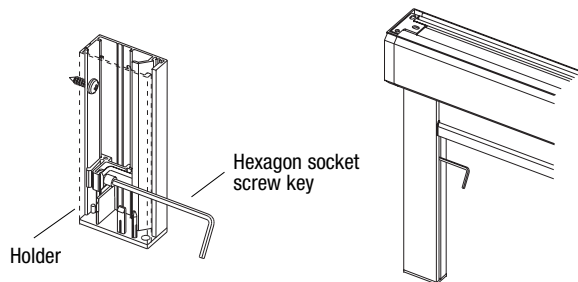


Determine no. of drilling holes in the "Base of the side profile" (depends on the surface being attached to). Place the holes in the according groove (see below). Fix the "Base of the side profile" and level up any unevenness in the surface.

Positions of drilling holes

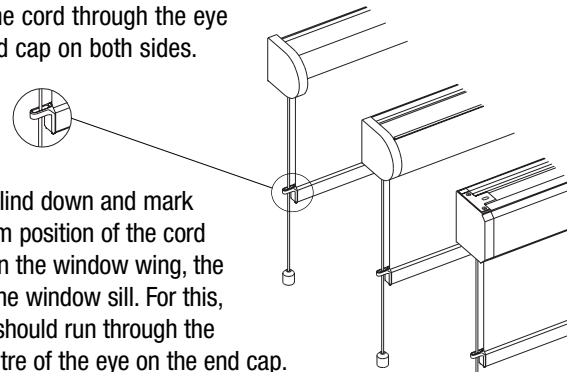


With the side profile still open, roll the blind down. If the hanging pulls down unevenly, check the side profiles for alignment and the cassette.



Fitting the cord guiding

Thread the cord through the eye of the end cap on both sides.

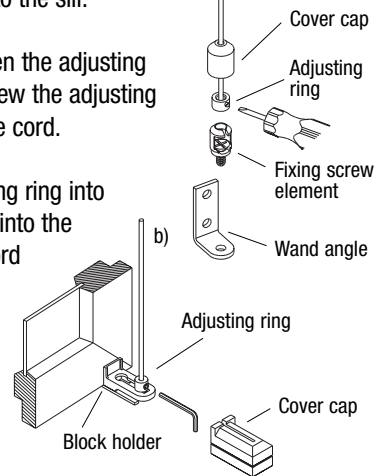


Roll the blind down and mark the bottom position of the cord guiding on the window wing, the jamb or the window sill. For this, the cord should run through the exact centre of the eye on the end cap.

When mounting the cord guiding in the wing of the window or in the jamb, first fix the wall angle in the desired position and then fasten the fixing screw element onto the angle. When mounting on the window sill, the fixing screw element is screwed directly into the sill.

First slip the cover cap and then the adjusting ring onto the cord. Loosely screw the adjusting ring onto the bottom end of the cord.

Hook the cord with the adjusting ring into the fixing screw element a) or into the block holder b). Shorten the cord below the adjusting ring to the desired length. Correct the tension of the cord by moving the adjusting ring. Tighten the adjusting ring. Slip on the cover cap.



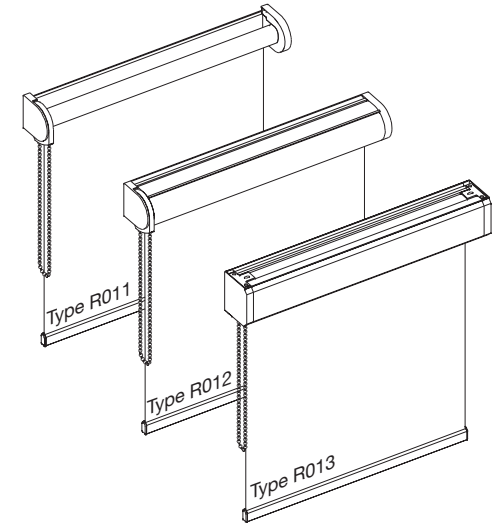
Care and operation

Clean off any slight soiling of the fabric with a damp cloth. Then carefully rub the fabric dry. Brush off any dust.

Δ Important! The chain pull gear is maintenance-free and must not be oiled.

Roller

Assembly – Operation – Care Types R011-R013



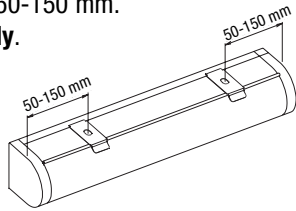
Dear customer,

This correctly dimensioned roller blind has been made especially for your requirements. High-quality materials and a design that is perfect in function and elegance guarantee a long service life and thus will give you a great deal of satisfaction from your purchase. Please read these instructions carefully before starting to assemble the blind. The required installation material is delivered together with each blind.

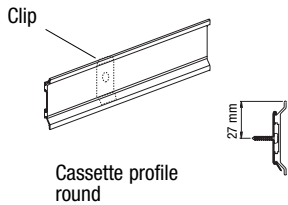
Your
Roller
Manufacturer

Mounting the clip/face brackets

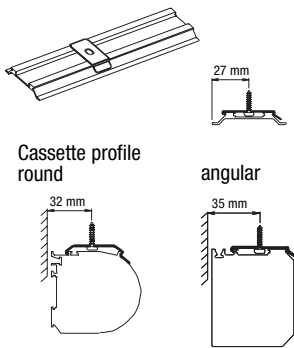
When mounting the clips or face fix brackets for the mounting plate or the cassette profile please note that the distance between the bracket and the end of the blind is 50-150 mm.
Mount the blind **horizontally**.



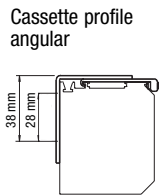
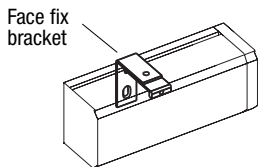
Wall mounting with clip



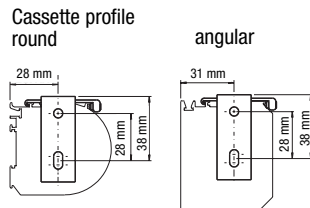
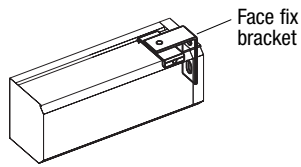
Ceiling mounting with clip



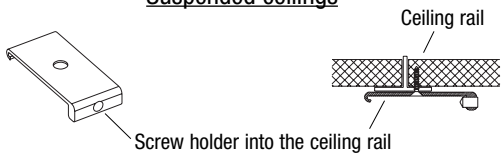
Wall mounting



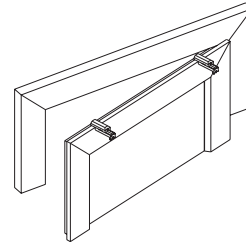
with face fix bracket



Suspended ceilings

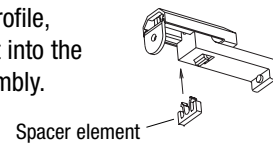


Fitting the block holders

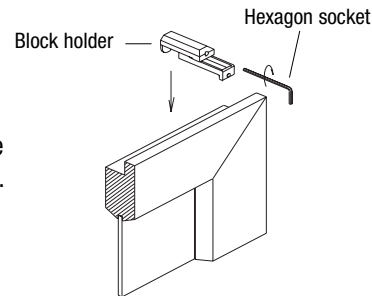


Only for angular cassette profile

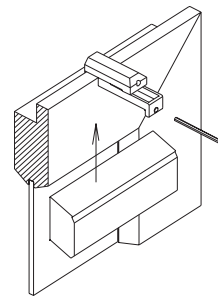
In the angular cassette profile, press the spacer element into the block holder before assembly.



Fasten the block holder to the window frame with the hexagon socket screw key.



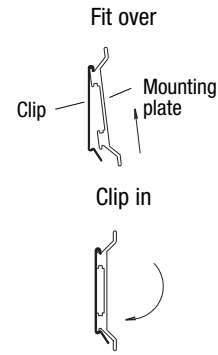
Fit the cassette profile or mounting plate into the block holder and tighten with the hexagon socket screw key.



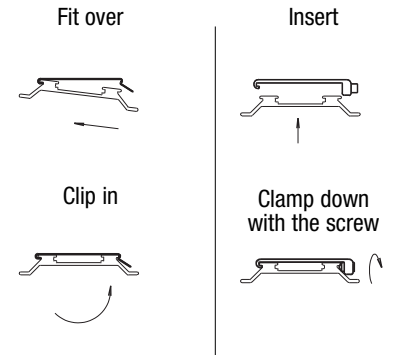
Clipping in or clamping the blind

Mounting plate

Wall mounting

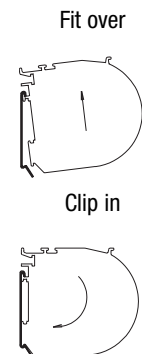


Ceiling mounting

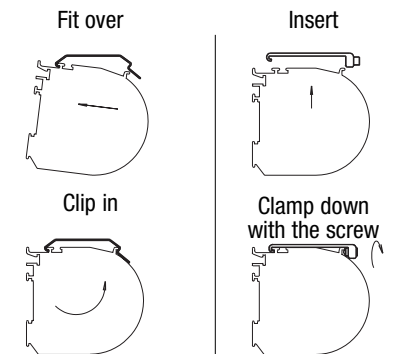


Cassette profile, round

Wall mounting

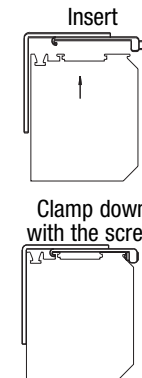


Ceiling mounting



Cassette profile, angular

Wall mounting



Ceiling mounting

