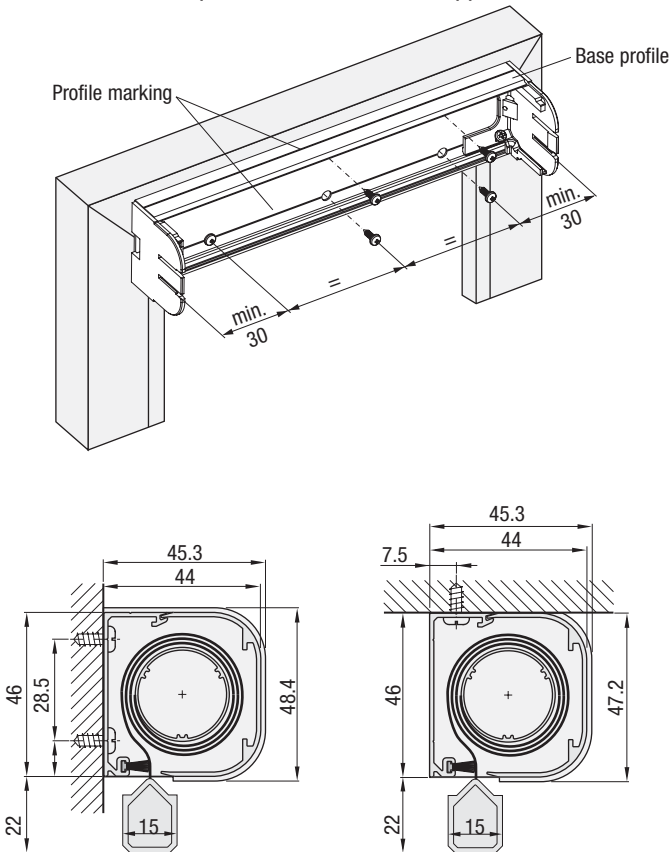


Mounting the roller blind

1a. Mounting the base profile (without fastening clips)

- a. Determine the number of the fastening holes.
Note: Hole distance minimum 30 mm from the end of the profile, space the further holes evenly.
- b. Drill the base profile.
Note: The markings of the profile indicate the positions of the drilled holes.
- c. Fasten the base profile with the screws supplied.

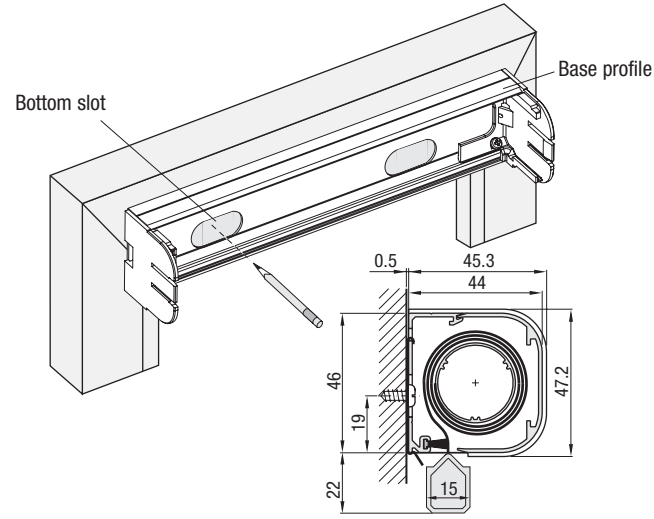


Dimensions in mm

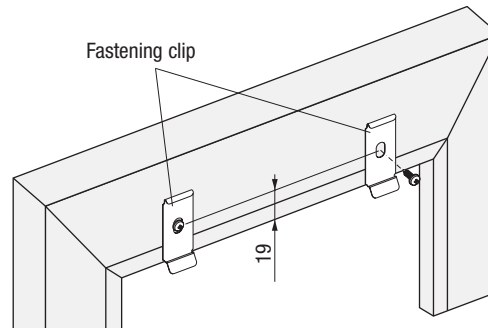
Mounting the roller blind

1b. Mounting the base profile (with fastening clips)

- a. Position the base profile on the window and determine the positions of the fastening clips by marking the bottom slot.



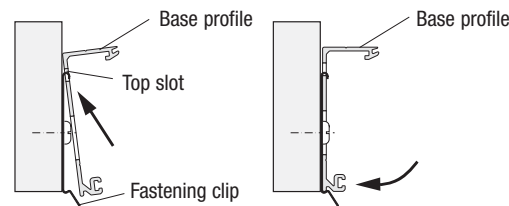
- b. Fasten the fastening clips with the screws supplied.



- c. Clip the base profile into the fastening clips.
(Position the top slot of the base profile on the fastening clip and clip in the base profile by giving it a slight turn.)

Fit over

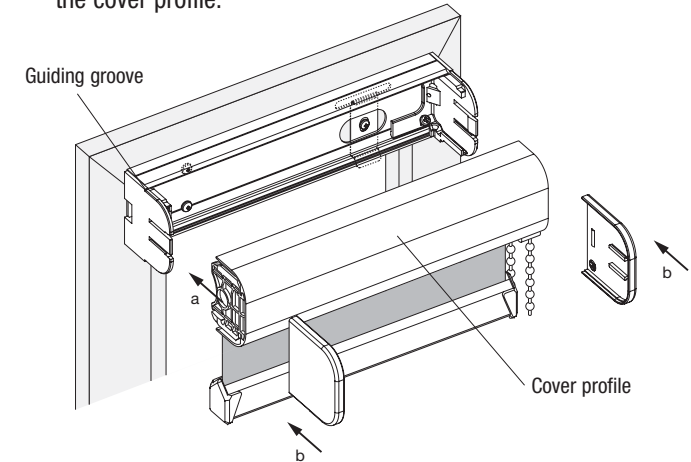
Clip in



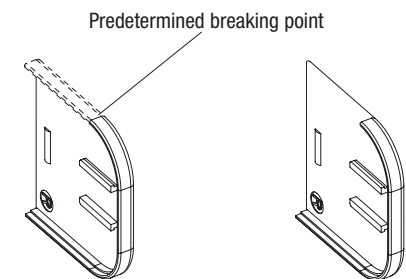
Mounting the roller blind

2. Mounting of the cover profile

- a. Position the cover profile on the guiding groove and push the cover profile onto the base profile.
- b. In case of wall mounting, push the end caps from the front onto the cover profile.



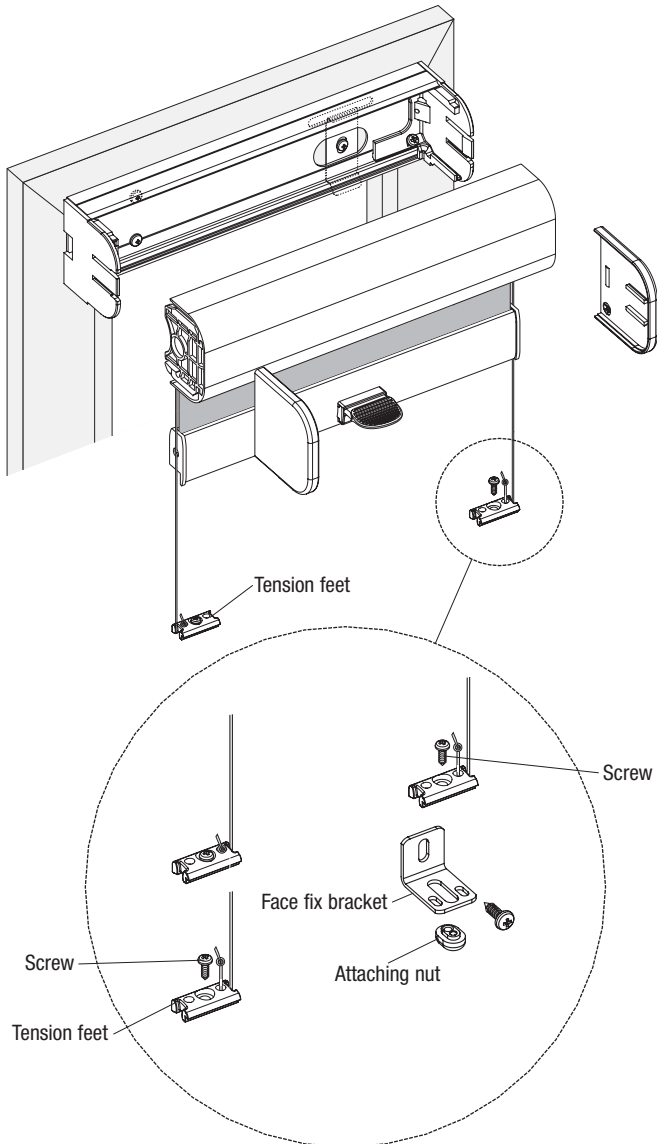
- c. In case of ceiling mounting, remove the upper edge of the end caps as given up to the predetermined breaking point. Push the end caps onto the cover profile.



Roller blinds with tension feet

3. Tension cord fixing element

Lower the roller blind and mark the position of the tension cord fixing element, screw the tension feet on.



Operation and Care

Operation

The roller blind **Type R115** is continuously adjustable until 1.50 m order height by chain drive. Over an order height of 1.50 m the position of the hanging is controlled by means of the chain holder system. (The chain is fixed in the chain holder.)

Chain drive

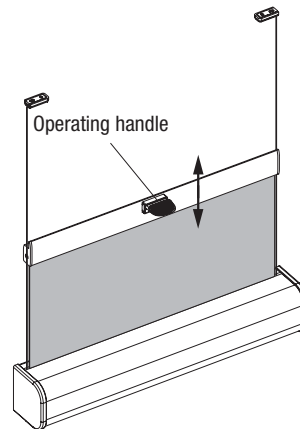


Chain retaining system



Chain holder

The roller blind **Type R155** is brought into each desired position by operating handle.



Care

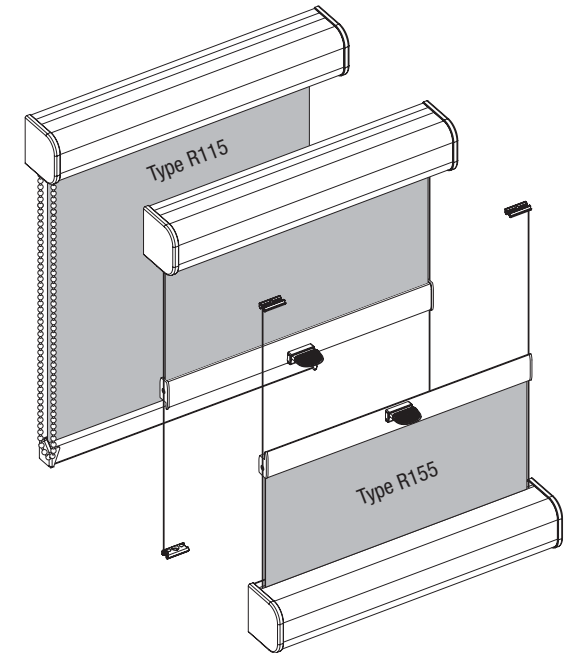
Wipe off any slight soiling of the roller blind fabric using a damp cloth. Then carefully rub the fabric dry.

Brush off any dust.

△ **Important!** The chain drive is maintenance-free and must not be oiled.

Roller

Installation – Operation – Care Type R115 and Type R155



Dear Customer,

This dimensionally accurate roller blind was produced especially for your requirements.

High-quality materials and a design that is perfect in function and elegance guarantee a long service lifetime and thus ensure a great deal of pleasure in the bought product.

Please read the following instructions carefully before installing the blind.

The necessary installation material is supplied together with the blind.

Your
Roller
Manufacturer